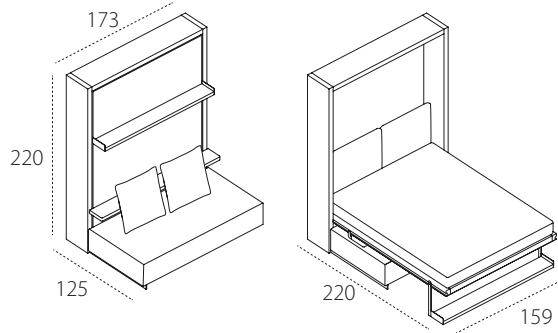
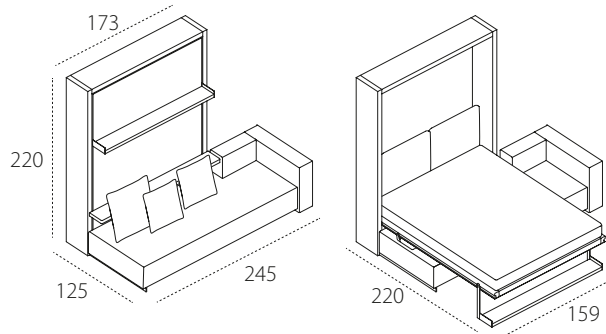


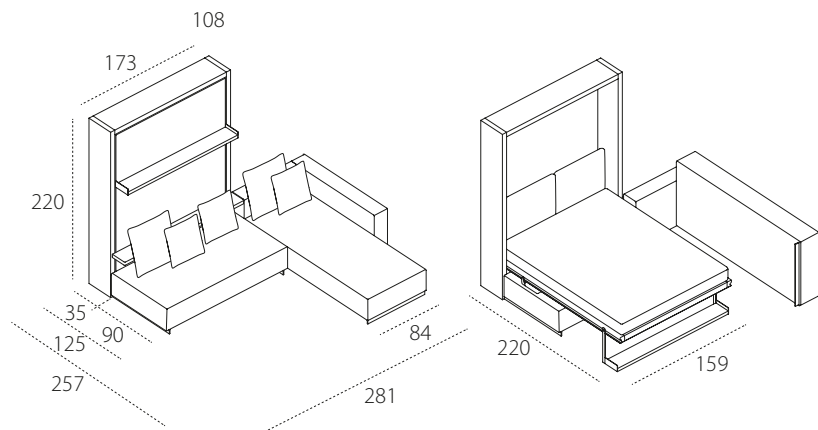
ATOLL



ATOLL 000



ATOLL 202



**TECHNICAL INFORMATION**

ATOLL - In the day configuration , it is a wall furniture with front sofa and bookshelf that transforms for the night into a double bed always ready.

Sofa is 173 cm wide, with sole seat cushion, storage space and cushions cm 60x 60 and cm 45 x 45 that lean against the rear stuffed shelf.

Cushions stuffing : seat cushions in polyurethane foam density 25/30 kg/m<sup>3</sup> , standard kind, with 100% polyester synthetic fibre 450 gr/m<sup>2</sup>; back cushions in piumafill ( feather with Dacron) covered with 100% cotton fabric ; back shelf in polyurethane foam covered in synthetic polyester fibre 450 gr/m<sup>2</sup> code HF/LHR.

ATOLL000 - Sofa is 245 cm wide, with sole seat cushion, storage space and cushions cm 60x 60 and cm 45 x 45 that lean against the rear stuffed shelf.

It is integrated with a living wallpanel.Cushions stuffing : seat cushions in polyurethane foam at double density 25/30 kg/m<sup>3</sup> with different levels, with polyester synthetic fibre 450 gr/m<sup>2</sup> code HF/LHR; back cushions in piumafill ( feather with Dacron) covered with 100% cotton fabric ; back shelf in polyurethane foam covered in 100 % polyester synthetic fibre.

ATOLL202 - Corner sofa cm 281 x cm 257 , with storage space and cushions cm 60x 60 and cm 45 x 45 that lean against the rear stuffed shelf.

It is integrated with a living wallpanel.

The corner part tips up 45° to create space around the open bed in the night version.

Cushions stuffing : seat cushions in polyurethane foam at density 25/30 kg/m<sup>3</sup> with different levels, with polyester synthetic fibre 450 gr/m<sup>2</sup> code HF/LHR; back cushions in piumafill ( feather with Dacron) covered with 100% cotton fabric ; back shelf in polyurethane foam covered in 100 % polyester synthetic fibre.

The double bed is always ready to use and features the innovative CF97 slatted bed base.

The structure is made from aluminium extrusion, with the bed fitted with an integrated adjustment system.

The bed is open and closed using a handle – which is either fixed or extendible – positioned on the front shelf.

When opened, this front shelf pivots to become the support for the bed; the opening systems means that objects on the shelf do not have to be removed.

Available mattresses - H cm18, double mattress cm 154 x 202 kg 29-32, in versions springs, memory, memory 7 zones, memory deluxe, latex and mattresses complying with usa relevant regulations.

Upholstered stuffed headboard for the bed, fixed directly to the back panel through

snaps, cleaning according to the fabric label.

Mattress locking belts in nylon with fasteners in black nylon.

H of bed base from the floor cm 49,5.

Maximum capacity kg 200.

H of sofa seat from the floor cm 40.

**AVAILABLE FINISHES**

STRUCTURE AND BACK PANEL - Melamine white, oak sabbia, oak moro, perla, tortora. Lacquered as per Cleicoloursystem. Wood: walnut wood, oak wood for structure only.

FRONT AND SHELF - Melamine white, oak sabbia, oak moro, perla, tortora. Lacquered as per Cleicoloursystem. Wooden finishes: walnut wood, oak wood. Glossy white Dialux, for front only.

SOFA COVER - Removable fabric and leather as per samples collection.



**= ATOLL**

Fabrics



Leather



Ecoleather



Lacquers



Melamine



Woods



Printed patterns



Glossy finishes



Glasses



The shades of the colours may differ, therefore these lacquer samples are indicative



CF  
97

## RETE / BED BASE

RETE IN ESTRUSO DI  
ALLUMINIO ANODIZZATO  
CON MECCANISMO  
REGOLABILE INTEGRATO  
NEL TELAIO

EXTRUDED ANODISED  
ALUMINIUM BED BASE  
WITH INTEGRATED  
ADJUSTING MECHANISM



### TECNOLOGIA E DESIGN TECHNOLOGY AND DESIGN

Apertura e chiusura si eseguono con un semplice gesto mediante la maniglia integrata sulla mensola di facciata che, grazie al movimento basculante, diventa il supporto del letto. La mensola resta parallela a terra nella fase di apertura consentendo di non rimuovere gli oggetti riposti.

The bed opens and closes with one easy motion using the handle on the front shelf that, by a tilting movement, becomes the bed support. The shelf remains horizontal while the bed is being opened, so objects placed on it do not need to be removed.



### FUNZIONALITÀ E DESIGN FUNCTIONALITY AND DESIGN

Il sistema di fissaggio del pannello frontale non necessita di ferramenta.  
La mensola bascula e diventa il supporto del letto.

No hardware required for front panel mounting.  
The shelf tilts and becomes the bed support.

## INNOVAZIONE TECNOLOGICA TECHNOLOGICAL INNOVATION



### REGOLAZIONI ADJUSTMENTS

Sistema di regolazione delle molle integrate nel telaio per il bilanciamento del meccanismo.

Adjusting system for the cables, integrated in the bed base frame to balance the mechanism.



Molle integrate nel telaio e calibrate per il sistema di apertura e chiusura della rete, che ruota e scorre su carriere in polizene.

Cables integrated in the bed base frame and calibrated for the opening/closing system. The bed base slides on polyzene carriages.



Sistema di articolazione della mensola basculante.  
Tilting shelf gear mechanism.



# FUNZIONALITÀ E SICUREZZA FUNCTIONALITY AND SAFETY

Il piano scrittoio bascula e senza necessità di rimuovere nulla si posiziona orizzontalmente sotto il letto.

The desktop tilts and with no need to remove anything it rests horizontally under the bed.



La scaletta si aggancia ad entrambi i letti con innesto di blocco automatico e funge anche da ulteriore supporto portante.

The ladder is secured to both beds by an automatically engaging lock mechanism, and serves as load-bearing support.



Barriere di protezione reclinabili mediante snodi.

The protective barriers recline by means of articulated joints.



Il letto superiore con specifico meccanismo si inclina verso il basso per facilitare il rifacimento.

The specific mechanism tilts the upper bed down to make easier the bed.



Sistema luce LED in tubolare di alluminio protetto da paracolpi per attutire la chiusura della rete. Il LED è conforme alle norme di sicurezza in materia.

Aluminium tube LED lighting system protected by bumpers to cushion the closing of the bed. The LED is compliant with relevant safety regulations.



Dispositivo di blocco della scaletta. Ladder locking mechanism.



Barriere di protezione imbottite e reclinabili.

Reclining padded protective barriers.

# FACILITÀ DI UTILIZZO EASE OF USE

Nel modello Oslo con l'apertura del letto automaticamente la seduta avanza e lo schienale si ripone.

In the Oslo model, when the bed is opened the seat automatically comes forward and the back rest folds back.



Elemento contenitore sotto la seduta, mod. Swing.

Container under the seat, model Swing.



Mensola con maniglia ad incasso estensibile per facilitare l'apertura.

Shelf with extendible handle to facilitate opening.



Elemento terminale ad angolo porta guanciali, mod. Tango.

End corner element with pillow holder, Tango model.



## TECNOLOGIA E COMFORT TECHNOLOGY AND COMFORT

Alla vasta gamma dei letti singoli, intermedi e matrimoniali a scomparsa, con rete a doghe e sempre pronti per l'utilizzo quotidiano, si associa la collezione dei materassi appositamente studiata con alcuni produttori, per coniugare il loro rapporto di peso e dimensioni ai diversi meccanismi di apertura dei letti trasformabili.

Alongside a wide range of single, queen and king size hide-away beds, with slatted base and always ready for daily use, we offer our collection of mattresses specially designed with some manufacturers to match their weight to size ratio with the different opening mechanisms of the transformable beds.